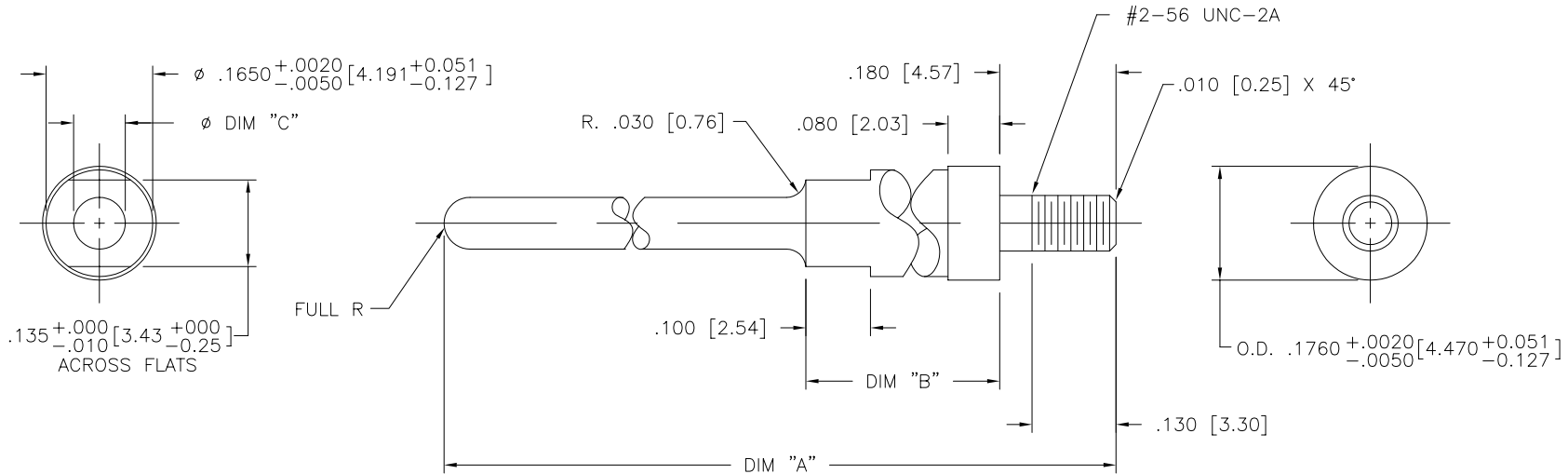


PRODUCT NO.	DIM "A"	DIM "B"	Ø DIM "C"
71225-001	1.040/26.41	.300/7.62	.080/2.03
71225-002	.955/24.25	.300/7.62	.080/2.03
71225-003	.955/24.25	.380/9.65	.090/2.28
71225-001LF	1.040/26.41	.300/7.62	.080/2.03
71225-002LF	.955/24.25	.300/7.62	.080/2.03
71225-003LF	.955/24.25	.380/9.65	.090/2.28

NOTE 3
NOTE 3
NOTE 3



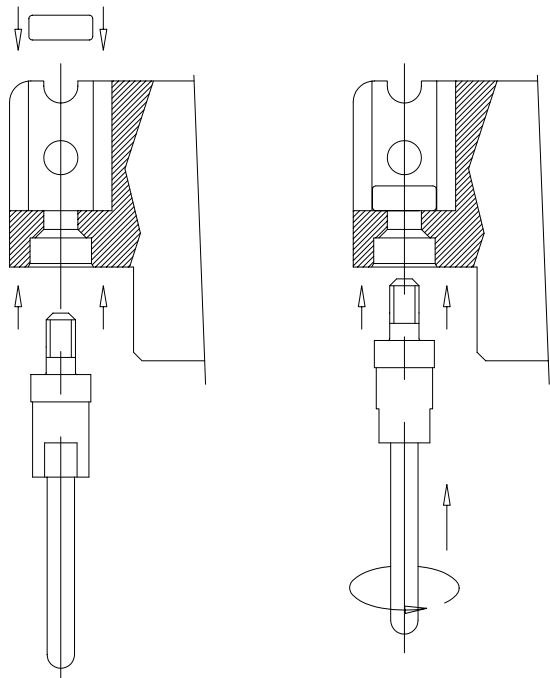
NOTE:

- ① MATERIAL: 416 STAINLESS STEEL.
- ② RECOMMENDED INSTALLATION TOOL: P/N 166769-001 (FOR USE IN 1/4" HEX DRIVE).
- ③ THIS PRODUCT MEETS EUROPEAN UNION DIRECTIVES AND OTHER COUNTRY REGULATIONS AS DESCRIBED IN GS-22-008.

mat'l. code		surface		tolerance		projection		product family	
NOTE 1		ISO 1302 ✓		ISO 406 ISO 1101		⊕		HPC	
ltr		ecn no dr		date		tolerances unless otherwise specified		title	
A	v50946	GAH	8/8/95	angles	linear	.xx±.01/.3		RECEPT MOUNTED MALE GUIDE PIN	
B	v51393	SAR	8/8/95			.xxx±.005/.13		INCH/MM	
C	v60897	GIP	6/10/96	0°±2'		.xxxx±.0020/.051		scale 1:1	
D	v60971	GIP	6/25/00	dr	D.HORCHLER	7/8/05		dwg no	
E	v00558	LSS	3/3/00	enfr	D.HORCHLER	7/8/05		sheet 1 of 4 size	
F	v05-0643	DCH	7/8/05	chr	T.BREWBAKER	7/8/05		71225 A3	
G	M06-0283	MHT	7/27/06	appd	D.HORCHLER	7/8/05		type Product Customer Drawing	
sheet	revision	G	G	G	G				
index	sheet	1	2	3	4				

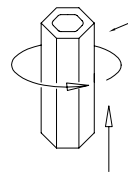
PRODUCT NO.

SEE TABLE

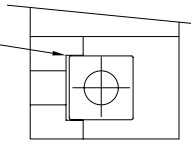


UN-ASSEMBLED GUIDE PIN

SEE NOTE 2



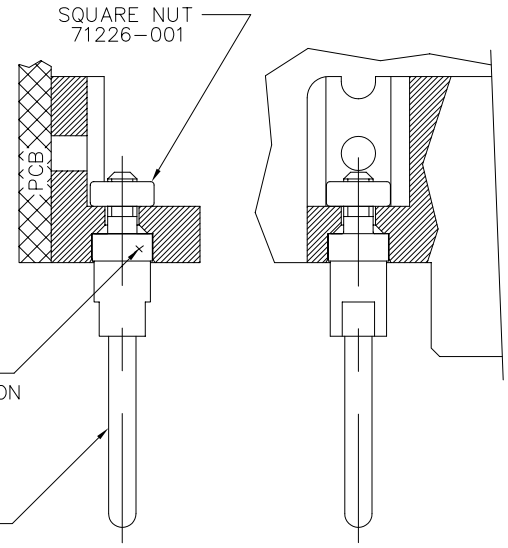
SQUARE NUT HELD FROM ROTATING BY SLOT



SQUARE NUT 71226-001

ROUND CONFIGURATION

GUIDE PIN 71225-001



ASSEMBLED GUIDE PIN

ASSEMBLY NOTE:
 AFTER CONNECTOR IS ON PCB,
 INSERT THE SQUARE NUT, AND
 THEN SCREW IN THE GUIDE PIN



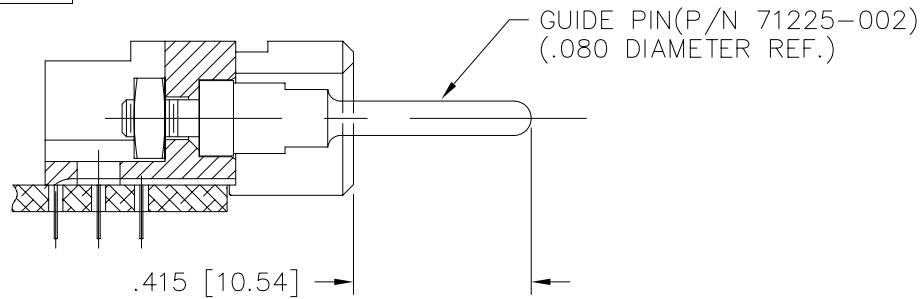
FCJconnect.com

Copyright FCJ

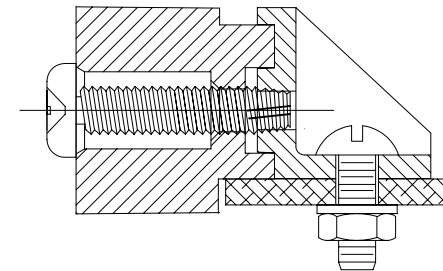
form: A3

mat'l. code		surface		tolerance		projection		product family	
NOTE 1		ISO 1302 ✓		ISO 406		ISO 1101		HPC	
ltr	ecn	no	dr	date	tolerances unless otherwise specified			title	
G					angles	linear	.xx±.01/.3	RECEPT MOUNTED MALE	
							.xxx±.005/.13	GUIDE PIN	
					0°±2'		.xxxx±.0020/.051	scale 1:1	
					dr	D.HORCHLER	7/8/05	dwg no	
					enr	D.HORCHLER	7/8/05	sheet 2 of 4 size	
					chr	T.BREWBAKER	7/8/05	71225	
					appd	D.HORCHLER	7/8/05	A3	
sheet		revision		index		type		Product Customer Drawing	
index		sheet							

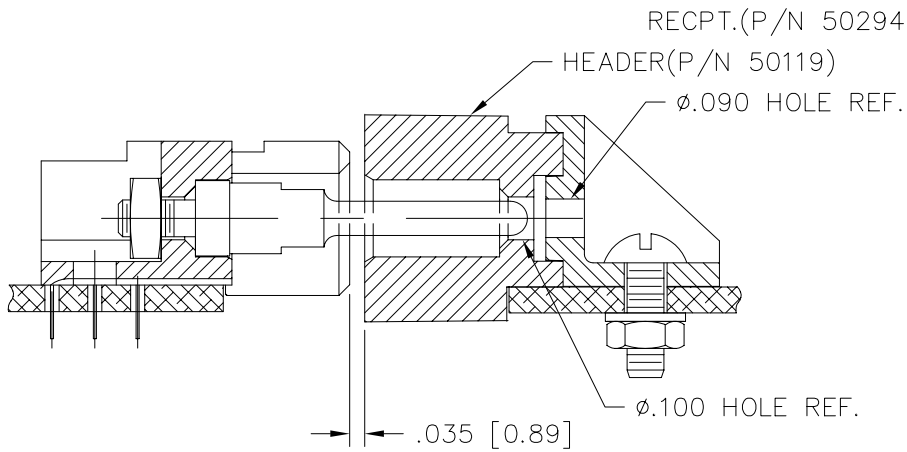
PRODUCT NUMBER
SEE TABLE



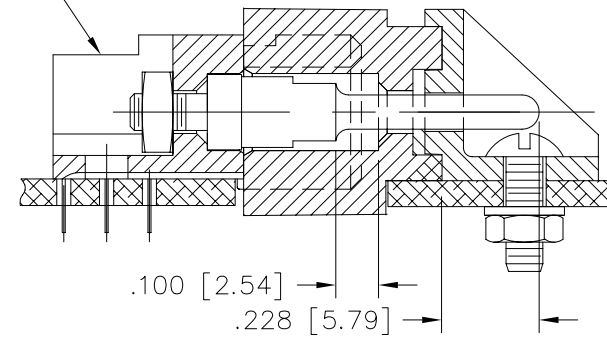
GUIDE PIN, MOUNTED TO RECPT.



HOUSING w/ BRACKET



GUIDE PIN FIRST CONTACT



FULLY MATED

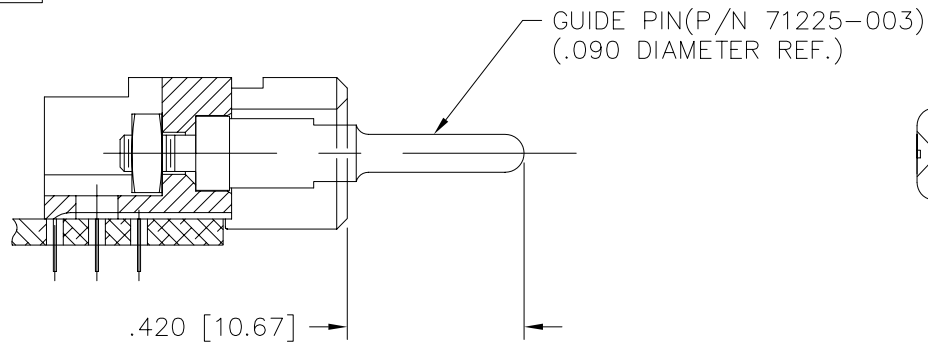
END MOUNTED GUIDE PIN ON RECEPTACLE

FCI
FCIconnect.com

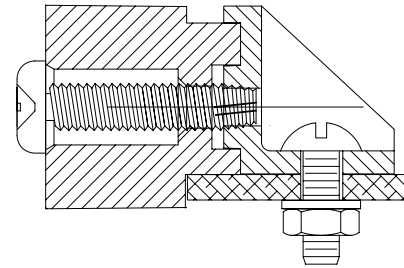
Copyright FCI

mat'l. code		surface		tolerance		projection		product family	
NOTE 1		ISO 1302 ✓		ISO 406 ISO 1101		⊕		HPC	
ltr		ecn no dr		date		tolerances unless otherwise specified		title	
G						.XX±.01/.3		RECEPT MOUNTED MALE GUIDE PIN	
						linear .XXX±.005/.13		INCH/MM	
						0'±2'		scale 1:1	
				dr D.HORCHLER 7/8/05				dwg no	
				enr D.HORCHLER 7/8/05				sheet 3 of 4 size	
				chr T.BREWBAKER 7/8/05				71225 A3	
				appd D.HORCHLER 7/8/05				type Product Customer Drawing	
sheet index		revision sheet							

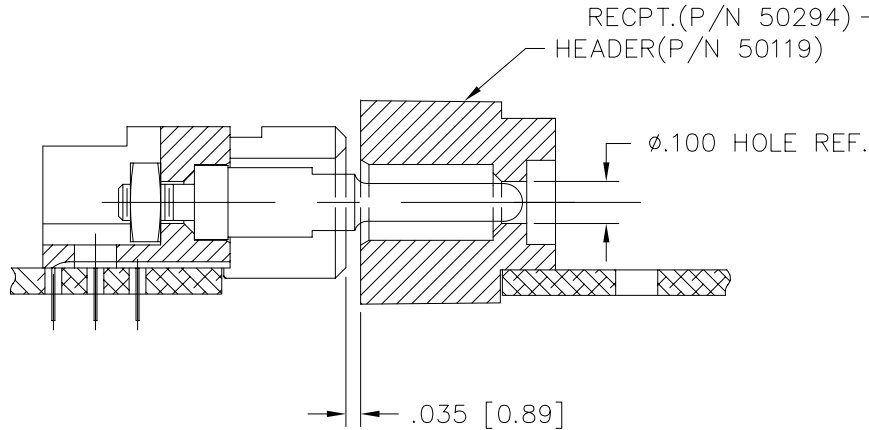
PRODUCT NUMBER
SEE TABLE



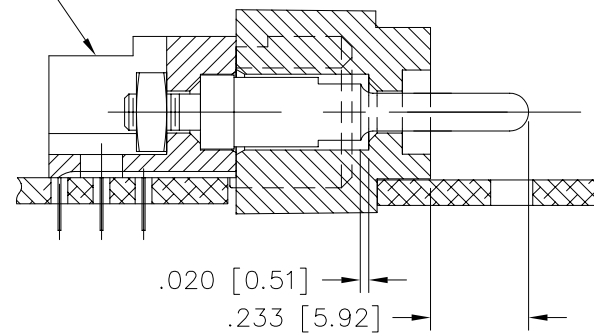
GUIDE PIN, MOUNTED TO RECPT.



HOUSING w/BRACKET



GUIDE PIN FIRST CONTACT



FULLY MATED

END MOUNTED GUIDE PIN ON RECEPTACLE

FCJ
FCIconnect.com

Copyright FCI

mat'l. code		surface		tolerance		projection		product family	
NOTE 1		ISO 1302 ✓		ISO 406		ISO 1101		HPC	
ltr		ecn		no		dr		date	
G									
				tolerances unless otherwise specified		INCH/MM		title	
		angles		linear		.XX±.01/.3		RECEPT MOUNTED MALE	
		0°±2'				.XXX±.005/.13		GUIDE PIN	
						.XXX±.0020/.051		scale 1:1	
		dr		D.HORCHLER		7/8/05		dwg no	
		enr		D.HORCHLER		7/8/05		sheet 4 of 4 size	
		chr		T.BREWBAKER		7/8/05		71225	
		appd		D.HORCHLER		7/8/05		A3	
sheet		revision						type	
index		sheet						Product Customer Drawing	

form: A3